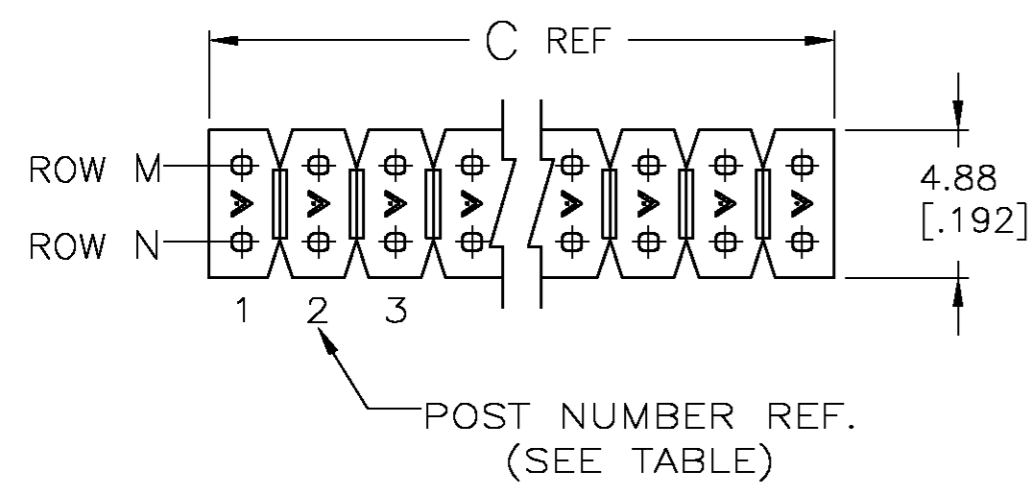
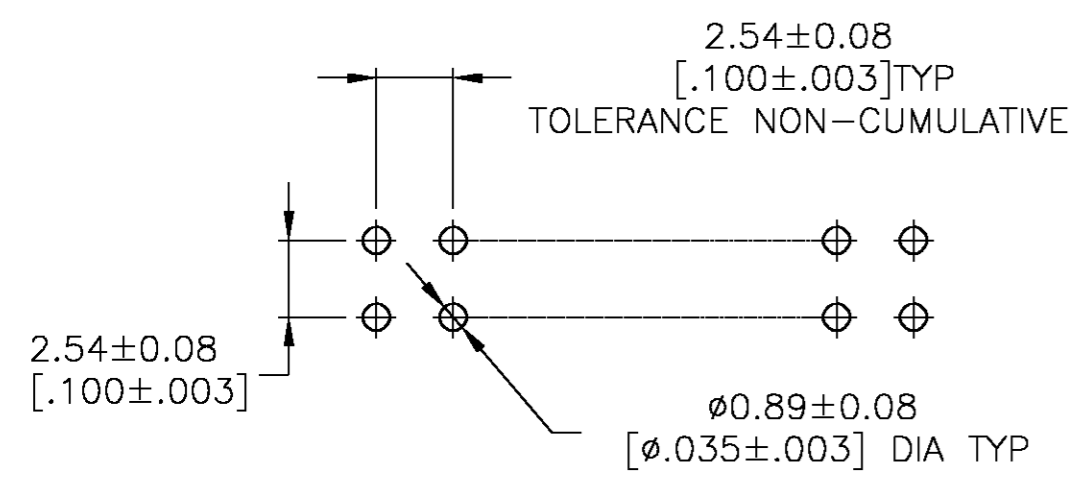
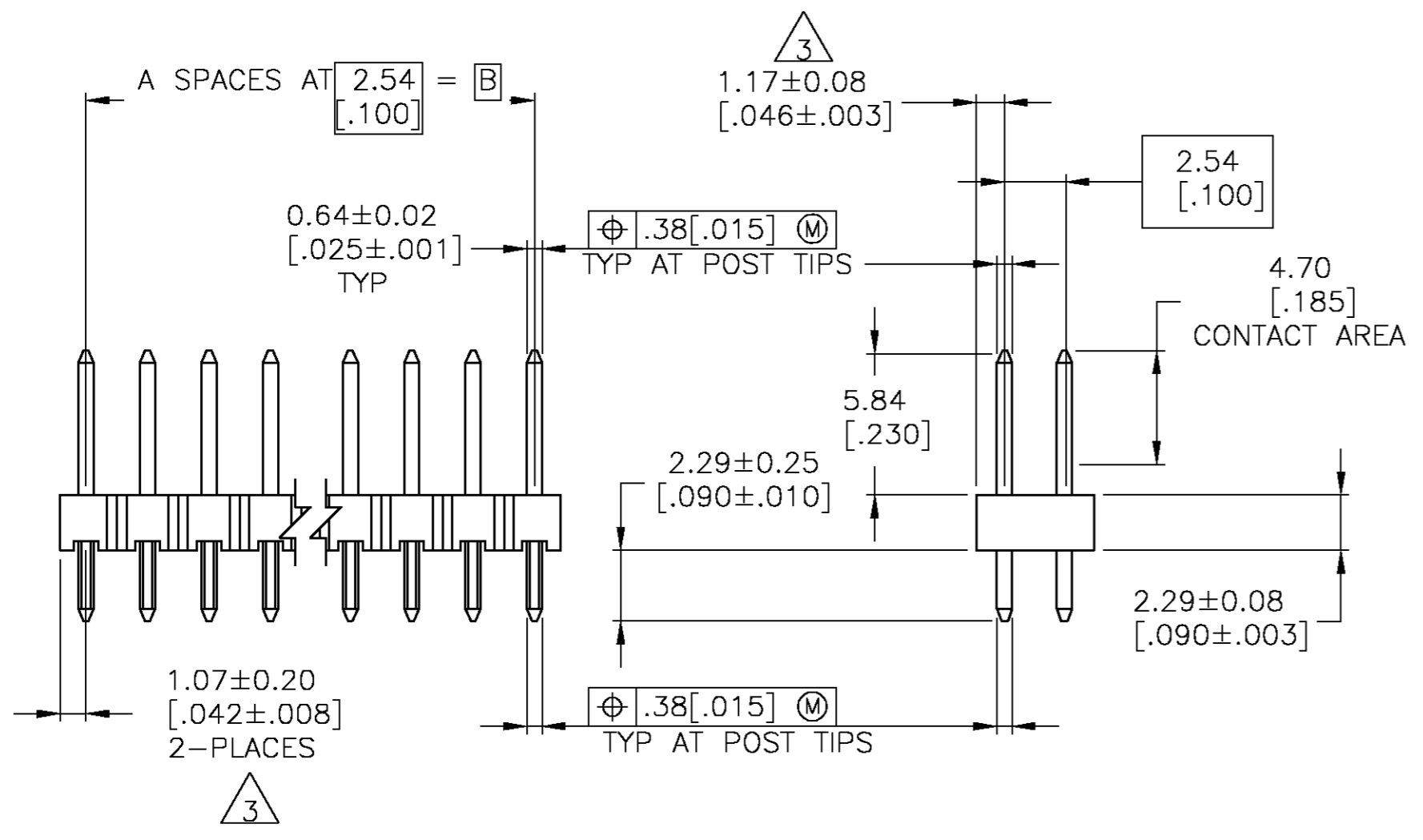


THIS DRAWING IS UNPUBLISHED. RELEASED FOR PUBLICATION  
 © COPYRIGHT BY TYCO ELECTRONICS CORPORATION. ALL RIGHTS RESERVED.

LOC		DIST		REVISIONS					
AD	00	P	LTR	DESCRIPTION			DATE	DWN	APVD
		G		EC 0G3C 0838 04			22FEB05	BSV	JLG



- ASSEMBLY MAY BE BROKEN TO THE DESIRED NUMBER OF POSITIONS
- TRUE POSITION TOLERANCE OF THE POSTS TIPS APPLIES WHEN THE HEADER IS HELD FLAT AGAINST THE PRINTED CIRCUIT BOARD.
- △ THE NOTED DIMENSION APPLIES AT THE INTERSECTION OF THE POST AND HOUSING.
- △ FINISH: 0.000127 [0.000005] GOLD ON CONTACT AREA, 0.00254-0.00508 [0.000100-0.000200] MATTE TIN-LEAD ON SOLDER TAIL ALL OVER 0.00127 [0.000050] NICKEL.
- △ FINISH: 0.000127 [0.000005] GOLD ON CONTACT AREA, 0.00254-0.00508 [0.000100-0.000200] MATTE TIN ON SOLDER TAIL ALL OVER 0.00127 [0.000050] NICKEL.
- △ HIGH TEMPERATURE CONFIGURATION.



△6	△5	3	NONE	1.684	1.600	16	33	34	5-146223-1
	△4	3	NONE	1.684	1.600	16	33	34	146223-1
REMARKS	PLATING	ROW N	ROW M	C	B	A	NO.OF ACTIVE POSN.	NO. OF POSN.	ASSEMBLY PART NUMBER
		POST OMITTED							

THIS DRAWING IS A CONTROLLED DOCUMENT.

DIMENSIONS:	TOLERANCES UNLESS OTHERWISE SPECIFIED:	DWN	6-3-95	 Tyco Electronics Corporation Harrisburg, Pa 17105-3608
mm [INCHES]	0 PLC ± -	CHK	25-3-95	
	1 PLC ± -	APVD	25-3-95	
	2 PLC ± 0.13[0.005]	PRODUCT SPEC		
	3 PLC ± -	APPLICATION SPEC		
	4 PLC ± -			
	ANGLES ± 0° 30'			
MATERIAL:	FINISH	WEIGHT		
HOUSING: FLAME RETARDANT THERMOPLASTIC	SEE TABLE			
COLOR: BLACK				
POSTS: PHOS BRONZE				

CUSTOMER DRAWING SCALE 4:1 SHEET 1 OF 1 REV G